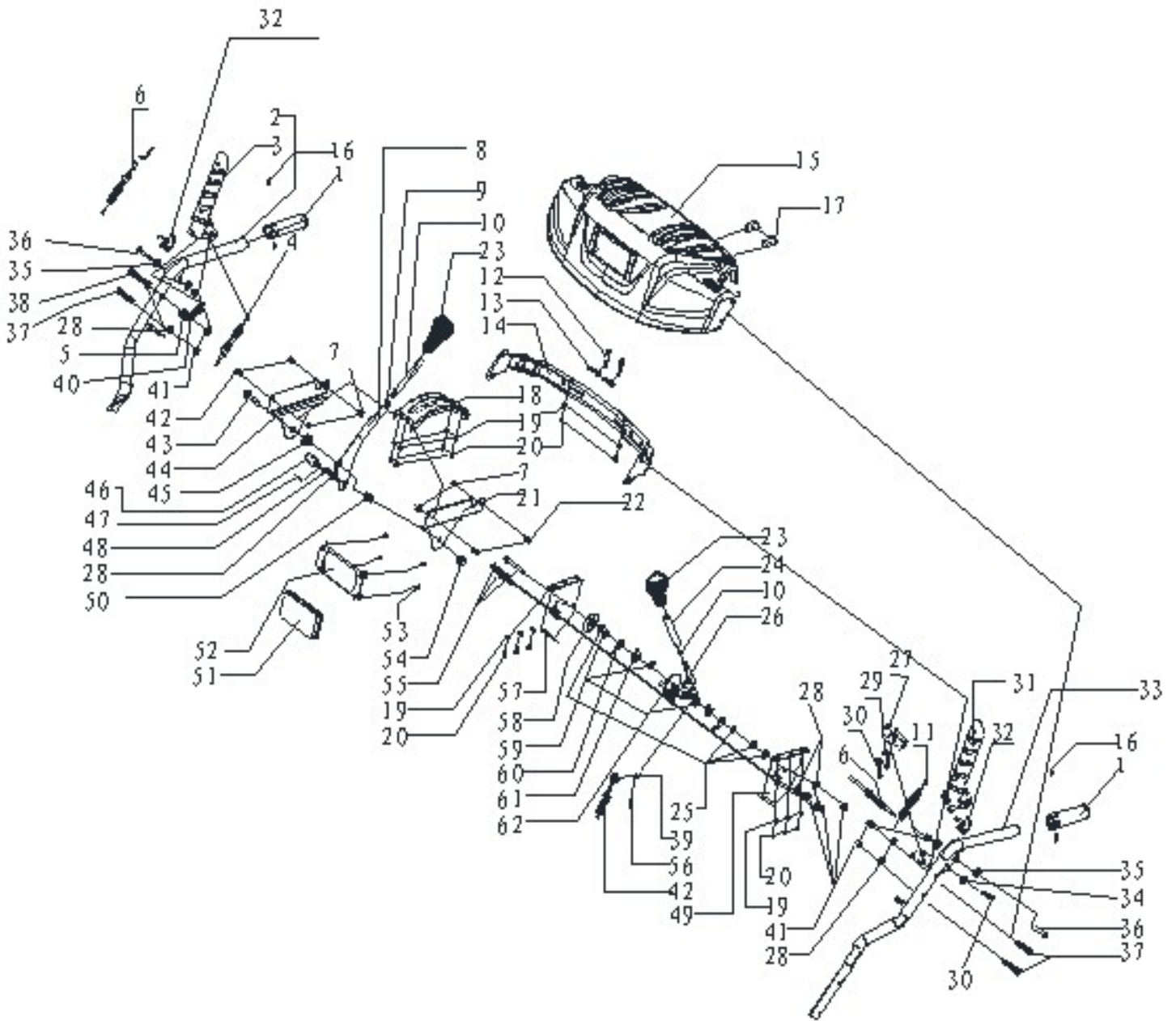


STG1101QE-02

Handle and control assembly



No.	Code No.	English Name
1	SX-11-008	Heating handle sleeve
2	NF-002-R-B	Welding assembly -B right handrail
3	2012-SX-11-031-2	The right handle welding
4	SX-11-36B-3	Walk cable
5	HFN-8	Flange surface nut
6	11-SX-11-36K	Handle self-locking cable
7	NHLN-6	Non metal outside six angle lock
8	NF-001-8	Gear plate welding assembly
9	SW-8	Spring washer
10	NF-001-13-2	The walking gear extension rod
11	SX-11-036B-2	Auger cable
12	NJ-01	The output shaft bolt
13	NJ-02	Pin buckle
14	NF-001-5-02	Panel below plate

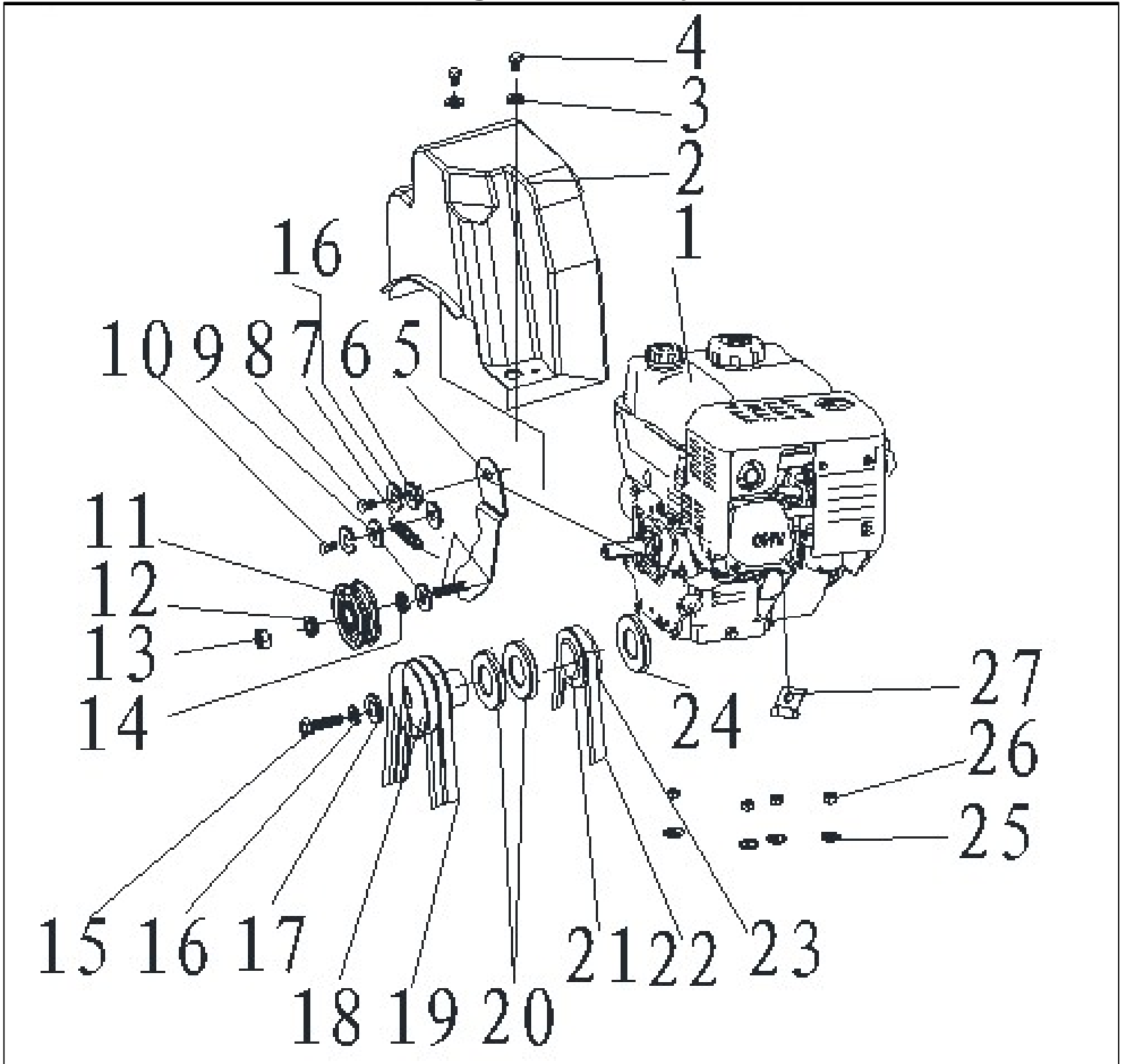
No.	Code No.	English Name
15	NF-010	Panel
16	BE-4*12	Blindniete
17	SA-011	Switch
18	NF-001-15	Gear plate
19	FB-5*12*1	Flat washer
20	SHSS-4.8*16	The pan head tapping screws
21	NF-001-4-01	Gear rack
22	HS-6*12	Six outer hexagon bolt
23	STG8062Ae-26	The gear handle
24	NF-001-13	Chute gear extension rod
25	FB-8*22*2	Flat washer
26	SJ-209	The adjusting rod welding assem
27	2012-KEY-04	Self-locking fixing seat
28	FB-8*16*1.2	Flat washer

No.	Code No.	English Name
29	SW-6	Spring washer
30	HS-6*18	Six outer hexagon bolt
31	SX-11-31-4	The left clutch handle
32	SJ-047-12	SJ rubber cap
33	NF-002-L-B	The left armrest pipe welding ass
34	FB-6*12*0.7	Flat washer
35	SJ-046-1	Small tensioning plate pad
36	HS-8*55	Six outer hexagon bolt
37	HFB-8*40	The six angle flange screws
38	HS-8*50	Six outer hexagon bolt
39	SJ-233	Pull pin
40	NF-001-14-3B	The clutch handle tension spring
41	NHLN-8	Non metal outside six angle lock
42	SX-11-36E	Chute cable
43	HS-10*45	Six outer hexagon bolt
44	NF-001-4-02	Gear rack
45	FB-10*28*3	Flat washer

No.	Code No.	English Name
46	GPP6562C-01-07	Speed control handle connector
47	OSP-2.5*25	Cotter pin
48	GPP6562C-01-09	Speed adjusting spring 1
49	NF-001-7	Chute gear fixed frame left
50	STG11(13)70(10)AE-02-02-08	The regulating spring
51	L-620	Lamp
52	STG8062AE-22	Lamp bracket
53	CHSS-3.2*30	Cross recessed countersunk head
54	NHLN-10	Non metal outside six angle lock
55	HS-8*45	Six outer hexagon bolt
56	OSP-2.0*29	Cotter pin
57	NF-001-7-01	Chute gear fixed frame right
58	SJ-223	Bowl shrapnel
59	SA-008	Saddle shaped elastic gasket
60	SJ-224	Gourd-shaped card
61	SJ-215	U card
62	SJ-210-1	Adjustable damping mounting plate

STG1101QE-02

Engine assembly



No.	Code No.	English Name	Qty
1	LC185	Engine	1
2	SX-11-180	The belt wheel cover	
3	FB-6*16*1.5	Flat washer	2
4	HS-6*12	Hexagon screw	2
5	SX-11-173	Small tensioning plate	1
6	SJ-046	Small tensioning plate pad	1
7	STG11(13)70(10)AE-02--01-19-0	Small tensioning wheel spring	
8	HS-8*20	Hexagon screw	1
9	FB-8*16*1.2	Flat washer	2
10	HS-8*20	Hexagon screw	1
11	SX-11-170	Small tensioning wheel	1

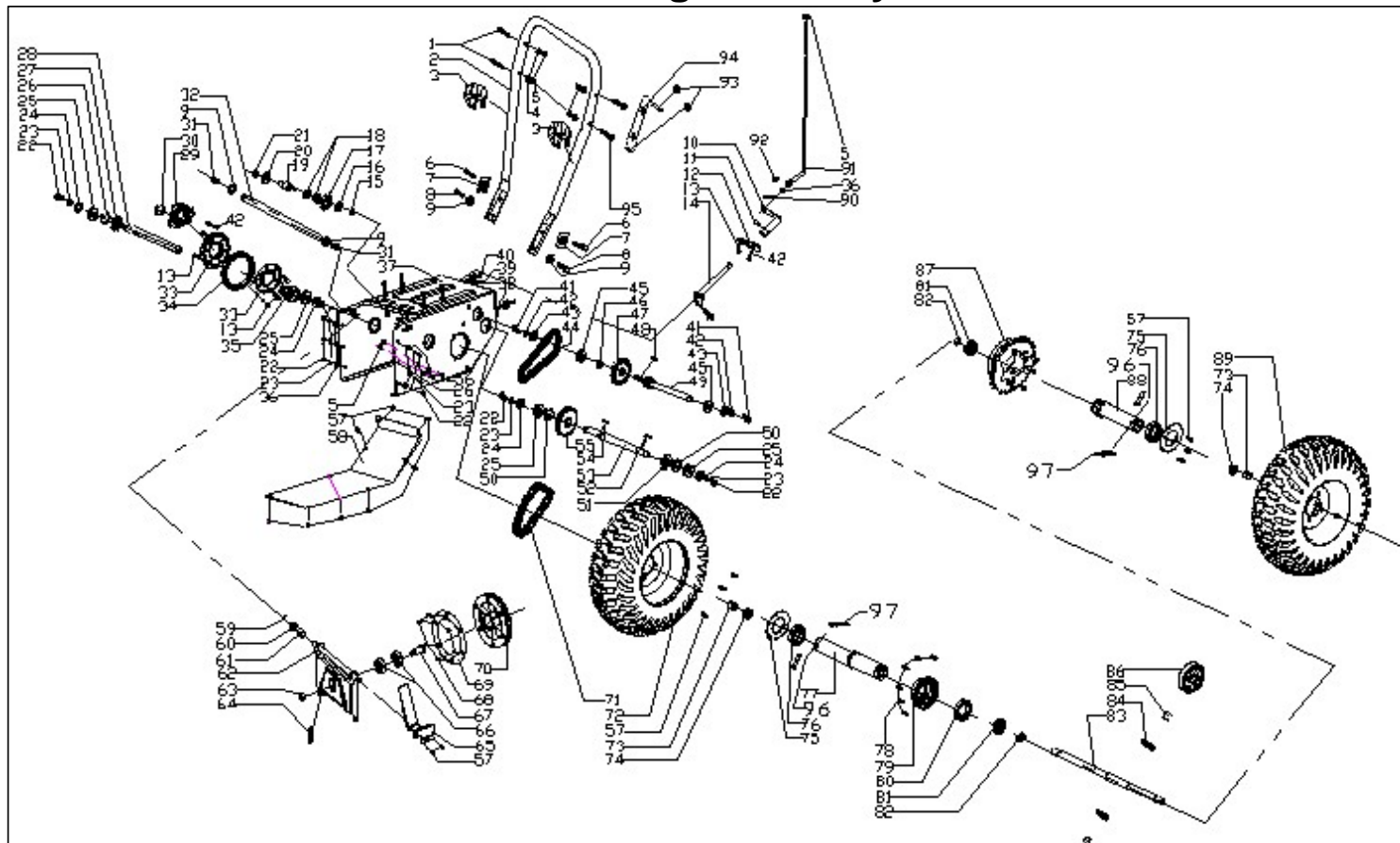
No.	Code No.	English Name	Qty
12	SX-11-170B	Cushion Cover	1
13	NHLN-8	Non metal outside six angle l	1
14	SJ-008C	SJ gasket	1
15	HS-8*35	Hexagon screw	1
16	SW-8	Spring washer	3
17	FB-8*28*3	Flat washer	1
18	STG11(13)70(10)AE-02-04-10	The main belt pulley	1
19	LB4L-960	V belt	2
20	FB-25*35*5	Flat washer	1
21	SX-11-168C	The small pulley washer	1
22	TB-5M*825	5M synchronous belt	1

No.	Code No.	English Name	Qty
23	SX-11-168b	Main synchronous wheel	1
24	FB-25*35*2	Flat washer	1
25	NHLN-10	Non metal outside six angle l	4

No.	Code No.	English Name	Qty
26	FB-10*20*2	Flat washer	4
27	FD-04-62	Cable bracket	1

STG1101QE-02

Driving assembly



No.	Code No.	English Name	Qty
1	NS-L8*40	Screw bolt	2
2	STG11(13)70(10)AE-02-02-1	Under the armrest tube	1
3	SSG5580A.23-01	Fastener	2
4	BG-8	Spacer	4
5	HFN-8	Flange surface nut	7
6	HS-10*40	Six angle screw	2
7	FD-04-54	Spacer	2
8	HS-10*20	Six angle screw	2
9	FB-10*20*2	Flat gasket	2
10	STG11(13)70(10)AE-02-02-0	The shifting fork arm	1
11	FRP-6*30	Coiled elastic pin	1
12	SX-11-148	Rectangular block	1
13	HS-6*12	Six angle screw	8
14	STG11(13)70(10)AE-02-02-0	Fork plate combination	1
15	NHLN-10	Non metal outside six angle lockr	1
16	FB-10*20*2	Flat gasket	1
17	STG11(13)70(10)AE-02-01-1	Tightener sprocket	1
18	BE-6001	Deep groove ball bearing	2
19	STG11(13)70(10)AE-02-01-1	The tension chain wheel	1
20	FB-12*24*2	Flat gasket	2
21	NHLN-12	Non metal outside six angle lockr	1
22	HFB-8*20	The six angle flange screws	8
23	SW-8	Spring washer	8
24	FB-8*28*2	Flat gasket	4

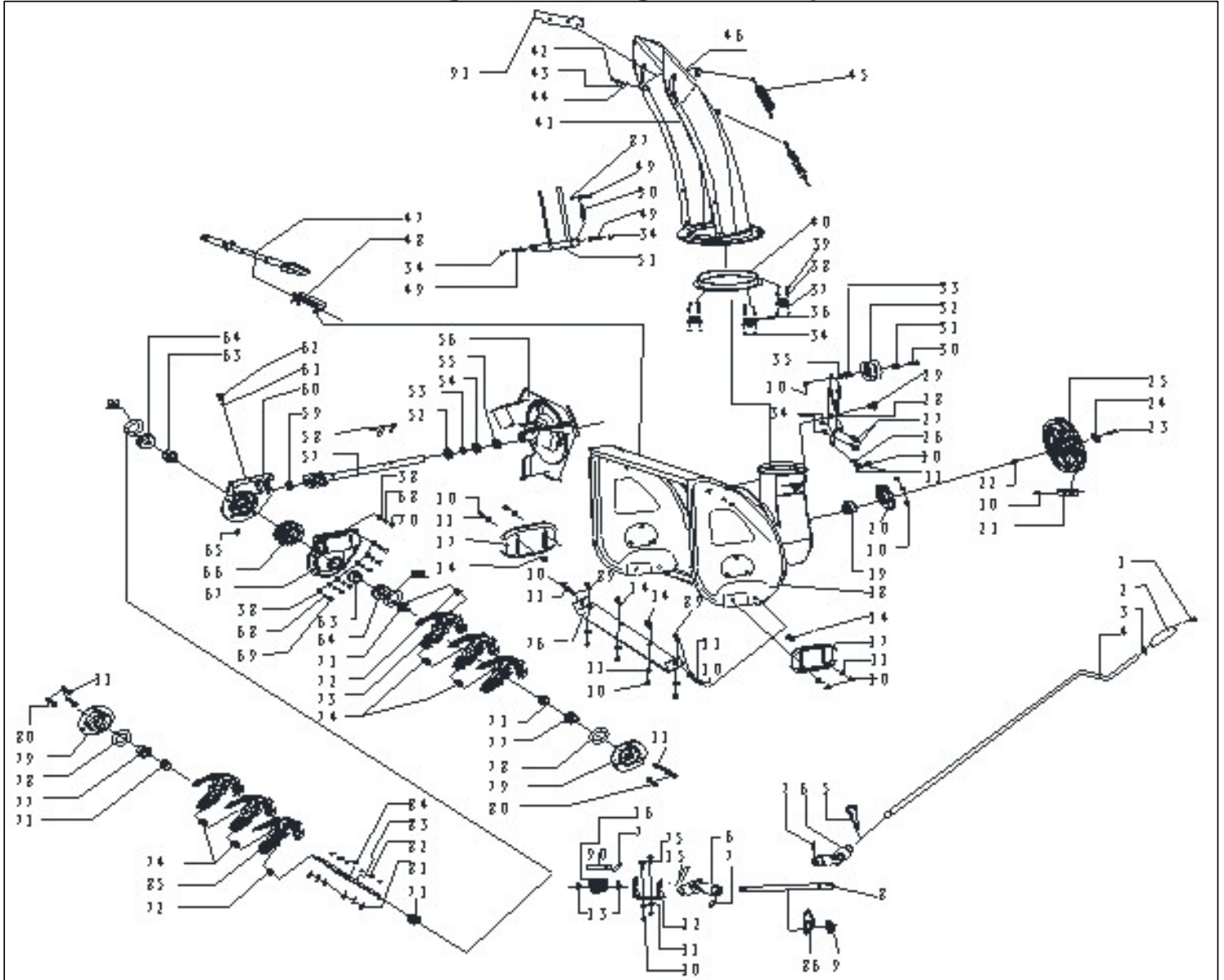
No.	Code No.	English Name	Qty
25	KBE-6203	With stop clamping spring deep g	2
26	SR-17	Shaft circlip	1
27	SX-11-183	Sprocket wheel	1
28	STG11(13)70(10)AE-02-01-0	Shaft	1
29	SJ-013B	Gear wheel cover	1
30	SR-35	Shaft circlip	1
31	HS-10*16	Six outer hexagon bolt	2
32	STG1310AE-02-01-07-01	The connecting shaft	1
33	SJ-013A	Gear wheel washer	2
34	SJ-013D	Gear wheel rubber ring	1
35	SJ-013C	Gear wheel set	1
36	FB-8*16*1.2	Flat gasket	9
37	STG11(13)70(10)AE-02-01-0	Transmission box	1
38	NHLN-5	Non metal outside six angle lockr	2
39	FB-5*16*1.2	Flat gasket	4
40	HFB-5*16	The six angle flange bolts	2
41	HS-6*16	Six outer hexagon bolt	2
42	SW-6	Spring washer	8
43	FB-6*23*3	Flat gasket	2
44	C-08A-051	Chain	1
45	KBE-6202	Deep groove ball bearing	2
46	SR-15	Shaft circlip	1
47	STG11(13)70(10)AE-02-01-1	Sprocket wheel	1
48	FK-A5*12	Flat key	1

No.	Code No.	English Name	Qty
49	STG11(13)70(10)AE-02-01-0	Shaft	1
50	SW-20	Shaft circlip	2
51	STG11(13)70(10)AE-02-01-1	Sprocket wheel	1
52	FK-A5*18	Flat key	1
76	BE-6009	Deep groove ball bearing	2
77	STG11(13)70(10)AE-02-01-0	The differential right axis	1
78	HES-6*12	Hexagon socket head cap screw	12
79	GPG65500A-11-01-02	Differential wheel sets	1
53	STG11(13)70(10)AE-02-01-1	Third axis	1
54	FK-A6*20	Flat key	1
55	STG11(13)70(10)AE-02-01-1	Third shaft gear	1
56	HS-8*40	Six outer hexagon bolt	2
57	ZHFB-6*12	The six angle flange self-tapping	14
58	STG11(13)70(10)AE-02-01-1	The box cover	1
59	CP-3*25	Cotter pin	1
60	FB-13*24*2	Flat gasket	2
61	STG11(13)70(10)AE-02-01-1	The pulley bracket sleeve	1
62	STG11(13)70(10)AE-02-01-1	Pulley support	1
63	NHLN-10	Non metal outside six angle lock	1
64	SJ-035	Wheel bracket spring	1
65	SX-11-149-2	The pulley plate 1	1
66	BE-6203	Deep groove ball bearing	2
67	SJ-010B	Drive shaft pulley	1
68	CHS-6*8	Cross recessed countersunk head	4
69	SJ-010A-1	SJ drive synchronous wheel cover	1

No.	Code No.	English Name	Qty
70	SJ-010A	SJ drive synchronous pulley	1
71	C-10A-036	Third axle chain	1
72	STG1170AE-02-04-05	Tire	2
73	STG11(13)70(10)AE-02-01-0	Differential shaft sleeve	2
74	BE-61804	Deep groove ball bearing	2
75	GPG65500A-01-02-05	75 stifle	2
80	BE-6909	Deep groove ball bearing	2
81	GPG65500A-11-03-01	The differential bevel gear 13	2
82	GPG65500A-06-01-03	Spacer sleeve	2
83	GPG65500A-11-003-01	The differential shaft	1
84	GPG65500A-11-03	The differential bevel gear rack	1
85	GPG65500A-11-06	The differential bevel gear shaft	2
86	GPG65500A-11-03-02	The differential bevel gear 12	2
87	GPG65500A-11-01	The differential sprocket assembly	1
88	STG11(13)70(10)AE-02-01-0	The differential left axis	1
89	STG1170AE-02-04-05	Tire	1
90	CP-2.0*29	The opening pin	1
91	NF-007-17	Gear connecting rod	1
92	GPP6562C-01-09	Speed adjusting spring 1	1
93	SJ-011A	SJ mounting plate plastic ring	2
94	NF-19	Rocker fixed frame 2	1
95	HFB-8*45	The six angle flange bolts	2
96	STG1170AE-02-04-35	The wheel bolt	2
97	NJ-02	Pin buckle	2

STG1101QE

Auger Housing assembly



No.	Code No.	English Name	Qty
1	HFB-6*12	Flange six hexagon bolt	1
2	SJ-018	SJ hand set	1
3	FB-10*20*1.5	Flat gasket	1
4	NF-SX-11-075-1	Chute rocker	1
5	STG11(13)70(10)AE-02-01-2	Cross-pin	1
6	SX-11-257	Universal joint	2
7	OSP-4*16	The elastic cylindrical pin	3
8	SX-11-084-1	Chute rocker 1-2012	1
9	SJ-239	Helical bracket rocker gasket	1
10	HL-8	Six corners locknut	18
11	FB-8*16*1.2	Spacer	20
12	SX-11-259-2	Support-2012	1
13	SX-11-259-1	Support washer -2012	2
14	CB-8*16	Cup head square neck screw	4
15	CP-3.2*25	Cotter pin	1
16	SX-11-255-2	Helical gear-2012	1

No.	Code No.	English Name	Qty
17	SJ-111	Skid shoe	2
18	28-SX-11-189R	Big shell	1
19	BE-SB204	Spherical ball bearing	1
20	SJ-004	Round bottom cover	1
21	STG1310AE-02-06-01	Belt baffle	1
22	FK-(B)6*6*20(16)	Flat key	1
23	HS-8*20	Six angle screw	1
24	FB-8*28*2	Flat gasket	1
25	SX-11-140	The big belt wheel	1
26	SJ-037	Spring 5	1
27	SJ-23-25	Bolt	2
28	SX-11-144-12	The tensioning plate	1
29	SJ-050	Six angle screw 1	1
30	HS-8*45	Six angle screw	1
31	SJ-008C	SJ pad	1
32	SJ-008	Large pulley	1

No.	Code No.	English Name	Qty
33	SJ-008B	Cushion	1
34	TB-6	Non metal outside six angle lockr	10
35	FB-8*16*1.2	Flat gasket	2
36	SJ-021	Presser	3
37	SJ-021C	Spacer	6
38	FB-6*12*0.7	Flat gasket	13
39	HS-6*20	Six angle screw	6
40	SJ-237	Chute seat plastic ring	1
41	SX-11-106-12	Snow chute 2012	1
42	CPS-5*12	Cross recessed pan head screw	1
43	SJ-200-08	Nylon spacer	2
44	TB-5	Non metal outside six angle lockr	1
45	SJ-226	Chute spring	1
46	SX-11-105-1	Snow chute cap 2012	1
47	SJ-150	Plastic shovel	1
48	SJ-151	Shovel base	1
49	HS-6*16	Six angle screw	3
50	SJ-036	SJ spring 4	1
51	SJ-012	Bent rod sleeve rod	1
52	RM-5HP	Oil nipple	1
52	BE-6904	Deep groove ball bearing	1
53	SJ-057	Space ring	1
54	BE-51104	One-way thrust ball bearing	1
55	PS-32*20*7	Oil seal	2
56	SJ-001	Fan	1
57	SX-11-114	Worm gear shaft	1
58	FRP-6*30`	Coiled elastic pin	2
59	BE-16001	Deep groove ball bearing	1
60	SJ-101	Pedestal	1
61	WG-8	The fuel nozzle gasket	1

No.	Code No.	English Name	Qty
63	SJ-108	The output shaft sleeve	2
64	OS-30*19*7	Oil seal	2
65	CPS-5*10	Cross recessed pan head screw	1
66	SJ-038	Worm gear	1
67	SJ-101A	Upper pedestal	1
68	EP-6	Spring washer	7
69	HS-6*20	Six outer hexagon bolt	6
70	HS-6*25	Six outer hexagon bolt	1
71	SJ-019	Drive shaft sleeve	12
72	28-SX-11-301	The output shaft sleeve 28-2	2
73	30-SX-11-125	Right auger	3
74	28-SX-11-300	The output shaft sleeve 28-1	4
75	CB-8*18	Half-round head square neck bol	2
76	SX-11-132	Long baffle	1
77	SJ-020	Axle sleeve	2
78	FB-19*38*1.5	Flat gasket	2
79	SJ-024	Bearing cap	2
80	HS-8*10	Six outer hexagon bolt	6
81	NJ-01	The output shaft bolt	6
82	NJ-02	Pin buckle	6
83	28-SX-11-134	The auger shaft	1
84	WK-5*7.5*19	Woodruff key	1
85	30-SX-11-135	Left auger	3
86	SX-11(13)70(10)-02-01-19	Chute rocker fixing frame	1
87	HFN-6	The six angle flange surface nut	2
88	FB-19*38*0.6	Flat gasket	2
89	CB-8*20	Cup head square neck screw	4
90	SX-11-84-3	Chute helical rod -2012	1
91	SX-11-400	Chute rubber pad -2012	1